

CAST STEEL SIGHT GLASS VALVES

PRELIMINARY

AVAILABLE ARE ALSO VALVES ACCORDING TO OTHER STANDARDS, MATERIALS, PATTERNS, CLASSES, SIZES.

SIGHT GLASS 150 LB

BASIC DESIGN STANDARDS

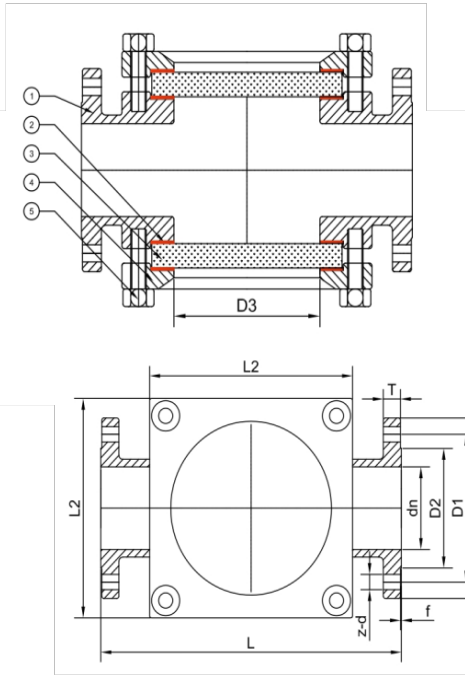
Basic Design ASME B16.34

Flanges Ends according to ANSI B16.5 /

Face to Face Dimensions
Manufacturer Standard

TEST PRESSURE TO API 598 bar

Class	Shell (water)	Seat (water)	Seat (air)
150	30	22	/



BILL OF MATERIALS ACCORDING TO ASTM

N	Part Nam	WCB	CF8M
01	BODY	A216 WCB	A351 CF8M
02	GASKET	SS + GRAPHITE	SS + GRAPHITE
03	GLASS	BOROSILICATE GLASS	BOROSILICATE GLASS
04	GLAND FLANGE	AS216 WCB	A351CF8M
05	BOLT	A193 B7M/2H	A 193 B8M/8M

*Body Material available in: 316-LF2-LCB

*Glass Material available in: Temperate Glass

CLASS 150	L(MM)	L2(MM)	D(MM)
1/2	130	62	90
3/4	150	62	100
1	160	62	110
1 1/4	250	78	120
1 1/2	250	78	125
2	250	95	150
2 1/2	250	95	180
3	250	111	190
4	250	111	230
5	320	130	255
6	320	130	280
8	320	130	345

