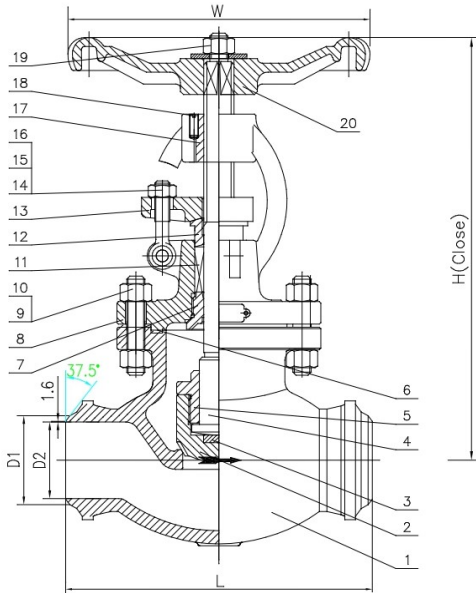


CAST STEEL GLOBE

PRELIMINARY

AVAILABLE ARE ALSO VALVES ACCORDING TO OTHER STANDARDS, MATERIALS, PATTERNS, CLASSES, SIZES.



GLOBE 300BW

BASIC DESIGN STANDARDS

Basic Design	<u>BS16.34 - BS1873</u>
Face to Face	
Dimension	B16.10
Bw dimension	B16.25
Testing	API 598

TEST PRESSURE TO API 598 bar

Class	Shell (water)	Seat (water)	Seat (air)
300	77	57	6.0

BILL OF MATERIALS STANDARD ACCORDING TO ASTM

N	Part Nam	WCB	LCB	CF8M
1	BODY	ASTM A 216 WCB	ASTM A352 LCB+STL	ASTM A351 CF8M
2	DISC	ASTM A 105	ASTM LF2+316	ASTM A182 F316
3	THRUST PLATE	ASTM A276 410	ASTM A 276 410	ASTM A276 316
4	STEM	ASTM A 182 F6a	ASTM A 182-F316	ASTM A 182-F316
5	DISC NUT	AISI 1025	AISI 1025	ASTM A276 316
6	GASKET	304+GRAPHITE	316+GRAPHITE	316+GRAPHITE
7	BACK SEAT	ASTM A 182 F6a	ASTM A 182 F6a	INTEGRAL
8	BONNET	ATM A 216 WCB	ASTM A352 LCB	ASTM A351 CF8M
9	BOLT	ASTM A 193 B7M	ASTM A 193-L7M	ASTM A 193 B8
10	NUT	ASTM A 194-2HM	ASTM A 194 L7M	ASTM A 194-8
11	PACKING	GRAPHITE	GRAPHITE	GRAPHITE
12	PACKING GLAND	ASTM A 276 410	ASTM A 276-410	ASTM A276 316
13	GLAND FLANGE	ASTM A105	ASTM A 105	ASTM A 351 CF8M
14	PIN	AISI 1035	AISI 1035	ASTM A276 316
15	NUT	ASTM A 194-2HM	ASTM A 194-7M	ASTM A 194-8
16	EYE-BOLT	ASTM A193-B7M	ASTM A193 L7M	ASTM A193-B8
17	STEM NUT	COPPER ALLOY	COPPER ALLOY	COPPER ALLOY
18	SCREW	AISI 1035	AISI 1035	AISI 1035
19	NUT	AISI 1025	AISI 1025	AISI 1025
20	HANDWELL	A536 Gr60-40-18	A536 Gr60-40-18	A536 Gr60-40-18

*Body Material available in: LCC-C5-C12-WC6-WC9-C12A-CF8-CF3-CF3M

On request TRIM: 1, TRIM 5, TRIM 8, TRIM 10, TRIM 12, TRIM16

DIM.MM CLASS 300 (FULL BORE)	L(MM)	H(CLOSE-MM)	W(MM)
2	267	325	200
2 ½	292	325	250
3	318	390	300
4	356	450	350
5	400	455	400
6	444	521	450
8	559	714	500
10	622	890	600
12	711	938	700

