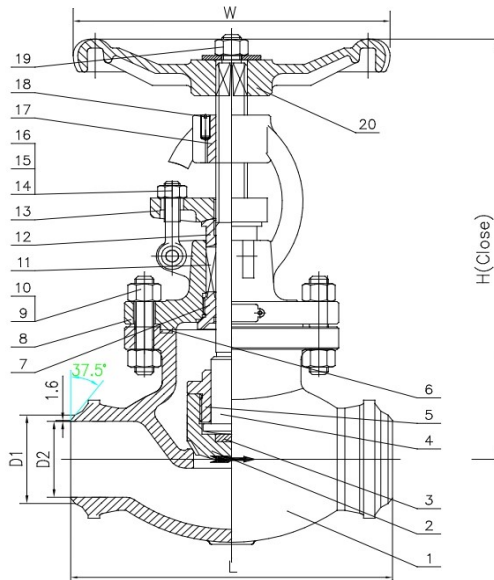


# CAST STEEL GLOBE

## PRELIMINARY

AVAILABLE ARE ALSO VALVES ACCORDING TO OTHER STANDARDS, MATERIALS, PATTERNS, CLASSES, SIZES.



## GLOBE 150BW

### BASIC DESIGN STANDARDS

Basic Design	<u>BS16.34 - BS1873</u>
Face to Face	
Dimension	B16.10
Bw dimension	B16.25
Testing	API 598
Bore	<u>FULL BORE</u>

### TEST PRESSURE TO API 598 bar

Class	Shell (water)	Seat (water)	Seat (air)
150	30	22	6.0

### BILL OF MATERIALS STANDARD ACCORDING TO ASTM

N	Part Nam	WCB	LCB	CF8M
1	BODY	ASTM A 216 WCB	ASTM A352 LCB+STL	ASTM A351 CF8M
2	DISC	ASTM A 105	ASTM LF2+316	ASTM A182 F316
3	THRUST PLATE	ASTM A276 410	ASTM A 276 410	ASTM A276 316
4	STEM	ASTM A 182 F6a	ASTM A 182-F316	ASTM A 182-F316
5	DISC NUT	AISI 1025	AISI 1025	ASTM A276 316
6	GASKET	304+GRAPHITE	316+GRAPHITE	316+GRAPHITE
7	BACK SEAT	ASTM A 182 F6a	ASTM A 182 F6a	INTEGRAL
8	BONNET	ATM A 216 WCB	ASTM A352 LCB	ASTM A351 CF8M
9	BOLT	ASTM A 193 B7M	ASTM A 193-L7M	ASTM A 193 B8
10	NUT	ASTM A 194-2HM	ASTM A 194 L7M	ASTM A 194-8
11	PACKING	GRAPHITE	GRAPHITE	GRAPHITE
12	PACKING GLAND	ASTM A 276 410	ASTM A 276-410	ASTM A276 316
13	GLAND FLANGE	ASTM A105	ASTM A 105	ASTM A 351 CF8M
14	PIN	AISI 1035	AISI 1035	ASTM A276 316
15	NUT	ASTM A 194-2HM	ASTM A 194-7M	ASTM A 194-8
16	EYE-BOLT	ASTM A193-B7M	ASTM A193 L7M	ASTM A193-B8
17	STEM NUT	COPPER ALLOY	COPPER ALLOY	COPPER ALLOY
18	SCREW	AISI 1035	AISI 1035	AISI 1035
19	NUT	AISI 1025	AISI 1025	AISI 1025
20	HANDWELL	A536 Gr60-40-18	A536 Gr60-40-18	A536 Gr60-40-18

\*Body Material available in: LCC-C5-C12-WC6-WC9-C12A-CF8-CF3-CF3M

On request TRIM: 1, TRIM 5, TRIM 8, TRIM 10, TRIM 12, TRIM16

DIM.MM CLASS 150 (FULL BORE)	L(MM)	H(CLOSE-MM)	W(MM)
2	203	312	200
2 ½	216	312	250
3	241	364	250
4	292	412	300
5	356	448	350
6	406	478	400
8	495	554	450
10	622	771	500
12	698	842	500

O.P.M. ITALIA Srl Via Murri, 24 int.40 20013 Magenta Milano Italy Phone +39 02 97003091 Fax +39 02 97290132

[www.opmitalia.com](http://www.opmitalia.com) [info@opmitalia.com](mailto:info@opmitalia.com)

