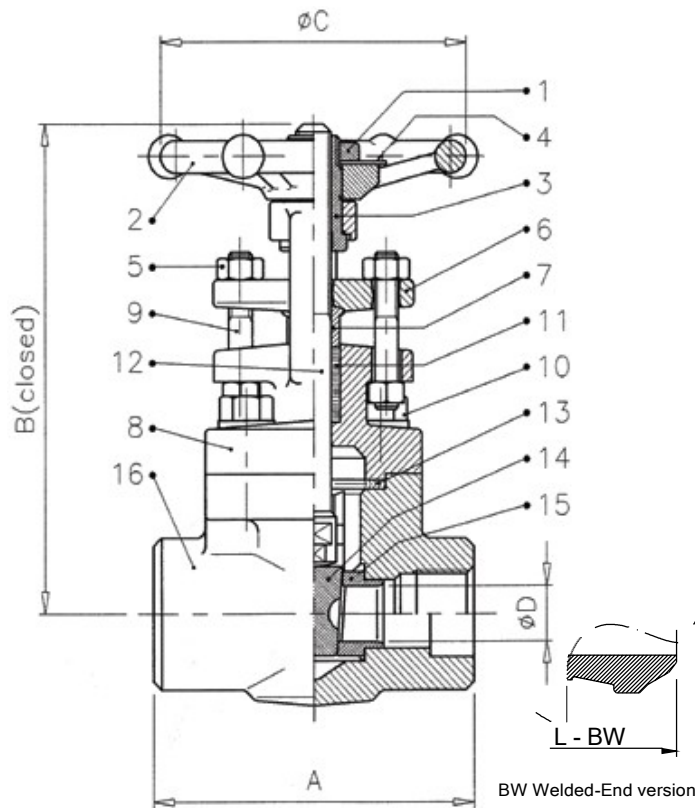


800 Lb

PRELIMINARY

AVAILABLE ARE ALSO VALVES ACCORDING TO OTHER STANDARDS, MATERIALS, PATTERNS, CLASSES, SIZES.



GATE 800

BASIC DESIGN STANDARDS

Basic Design	ISO 15761 - API 602
Wall Thickness / Pressure / Temperature	According to ANSI B16.34
Ends Dimensions	SW according to ANSI B16.11 / NPT-F according to ASME B1.20.1
Bore	Reduced & Full

TEST PRESSURE TO API 598 bar

Class	Shell (water)	Seat (water)	Seat (air)
800	211	155	6.0

This document is the property of OPM ITALIA S.r.l. It must not be stored, reproduced or disclosed to others without written authorisation from the Company.

BILL OF MATERIALS

STANDARD ACCORDING TO ASTM

N	Part Nam	A105	A350 LF2	A182 F11	A182 F316
01	Handwheel Nut	CS	CS	CS	CS
02	Handwheel	CS	CS	CS	Carbon Steel RILSAN
03	Yoke Sleeve	AISI 416	AISI 416	AISI 416	AISI 416
04	Nameplate	Aluminium	Aluminium	Aluminium	Aluminium
05	Gland Nut	ASTM A194 Gr 2H	ASTM A194 GR.8	ASTM A194 Gr 2H	ASTM A194 Gr.8
06	Gland Flange	ASTM A105N	ASTM A350 LF2	ASTM A105N	ASTM A182F316
07	Packing Gland	ASTM A182 F316	ASTM A182 F316	ASTM 182F316	ASTM A182 F316
08	Bonnet	ASTM A105N	ASTM A350 LF2	ASTM A182 F11	ASTM A182 F316
09	Gland Studs	AISI 410	ASTM A193 B8	AISI410	ASTM A193 B8
10	Bolt B/B	ASTM A193 B7	ASTM A193 L7	ASTM A193 B16	ASTM A193 B8
11	Packing	Graphite	Graphite	Graphite	Graphite
12	Stem	ASTM A182 F6	ASTM A182 F6	ASTM A182 F6	ASTM 183 F316
13	Gasket B/B	F316 + Graphite	F316 + Graphite	F316 +Graphite	F316 + Graphite
14	Wedge	ASTM A182 F6	ASTM A182 F6	ASTM A182 F6	ASTM A182 F316
15	Seat	ASTM A182 F6	ASTM A182 F6	ASTM A182 F6	ASTM A182 F316
16*	Body	ASTM A105N	ASTM A350 LF2	ASTM A182 F11	ASTM A182 F316

*Body Material available in: A182 F5 - A182 F22 - A182 F91 - A182 F304 - A182 F347- A182 F321 - A182 F44 - A182 F51 - A182 F53
 On request TRIM: with Stellite , Monel, Hastelloy, Inconel, Alloy, other material

DIM.MM (REDUCED BORE)	A(MM)	B(MM)	C(MM)	D(MM)
1/4"	/	/	/	/
3/8"	/	/	/	/
1/2"	80	135	90	10
3/4"	90	138	90	14
1"	110	166	100	18
1-1/4"	127	204	120	24
1-1/2"	127	208	140	29
2"	130	234	140	36.5

DIM.MM (FULL BORE)	A(MM)	B(MM)	C(MM)	D(MM)
1/4"	80	130	90	8.5
3/8"	80	130	90	10
1/2"	90	138	90	14
3/4"	110	166	100	18
1"	127	204	120	24
1-1/4"	127	208	140	29
1-1/2"	130	234	140	36.5
2"	210	285	200	48

