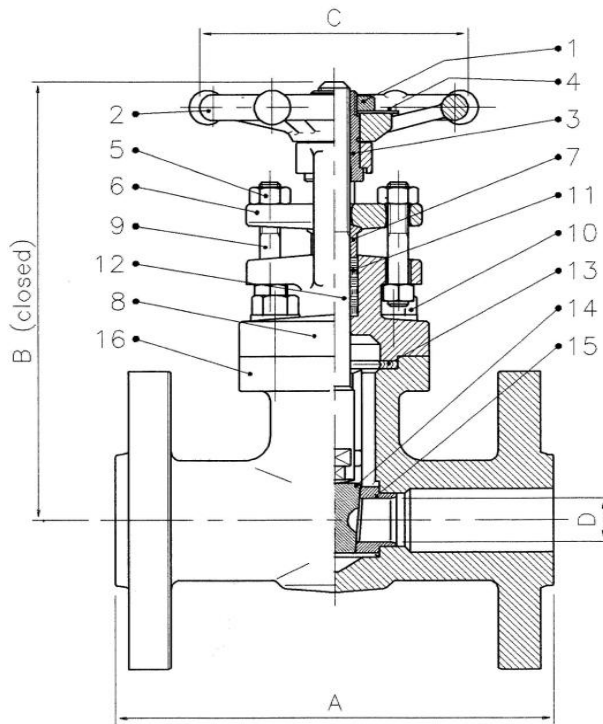


PRELIMINARY

AVAILABLE ARE ALSO VALVES ACCORDING TO OTHER STANDARDS, MATERIALS, PATTERNS, CLASSES, SIZES.



GATE 150-300-600

BASIC DESIGN STANDARDS

Basic Design	ISO 15761 - API 602
Wall Thickness / Pressure / Temperature	According to ANSI B16.34
Ends	RF according to ASME B16.15
Bore	Reduced

TEST PRESSURE TO API 598 bar

Class	Shell (water)	Seat (water)	Seat (air)
150	30	22	6.0
300	77	57	6.0
600	153	113	6.0

BILL OF MATERIALS

STANDARD ACCORDING TO ASTM

N	Part Nam	A105	A350 LF2	A182 F11	A182 F316
01	Handwheel Nut	CS	CS	CS	CS
02	Handwheel	CS	CS	CS	Carbon Steel RILSAN
03	Yoke Sleeve	AISI 416	AISI 416	AISI 416	AISI 416
04	Nameplate	Aluminium	Aluminium	Aluminium	Aluminium
05	Gland Nut	ASTM A194 Gr 2H	ASTM A194 GR.8	ASTM A194 Gr 2H	ASTM A194 Gr.8
06	Gland Flange	ASTM A105N	ASTM A350 LF2	ASTM A105N	ASTM A182F316
07	Packing Gland	ASTM A182 F316	ASTM A182 F316	ASTM 182F316	ASTM A182 F316
08	Bonnet	ASTM A105N	ASTM A350 LF2	ASTM A182 F11	ASTM A182 F316
09	Gland Studs	AISI 410	ASTM A193 B8	AISI410	ASTM A193 B8
10	Bolt B/B	ASTM A193 B7	ASTM A193 L7	ASTM A193 B16	ASTM A193 B8
11	Packing	Graphite	Graphite	Graphite	Graphite
12	Stem	ASTM A182 F6	ASTM A182 F6	ASTM A182 F6	ASTM 183 F316
13	Gasket B/B	F316 + Graphite	F316 + Graphite	F316 + Graphite	F316 + Graphite
14	Wedge	ASTM A182 F6	ASTM A182 F6	ASTM A182 F6	ASTM A182 F316
15	Seat	ASTM A182 F6	ASTM A182 F6	ASTM A182 F6	ASTM A182 F316
16*	Body	ASTM A105N	ASTM A350 LF2	ASTM A182 F11	ASTM A182 F316

On request TRIM: with Stellite , Monel, Hastelloy, Inconel, Alloy, other material

DIM.MM CLASS 150 (REDUCED BORE)	A(MM)	B(MM)	C(MM)	D(MM)
1/4"	/	/	/	/
3/8"	/	/	/	/
1/2"	108	159	90	15,8
3/4"	117,5	163	90	20,9
1"	127	187	100	26,6
1-1/4"	/	/	/	/
1-1/2"	165,1	231	140	40,9
2"	177,8	258	140	52,5

DIM.MM CLASS 300 (REDUCE BORE)	A(MM)	B(MM)	C(MM)	D(MM)
1/4"	/	/	/	/
3/8"	/	/	/	/
1/2"	139,7	143	90	15,8
3/4"	152,4	151	90	20,9
1"	165,1	188	100	26,6
1-1/4"	/	/	/	/
1-1/2"	190,5	232	140	40,9
2"	215,9	258	140	52,5

DIM.MM CLASS 600 (REDUCE BORE)	A(MM)	B(MM)	C(MM)	D(MM)
1/4"	/	/	/	/
3/8"	/	/	/	/
1/2"	165,1	143	90	14
3/4"	190,5	149	90	19
1"	215,9	187,5	100	24
1-1/4"	/	/	/	/
1-1/2"	241,3	232	140	38
2"	258	258	140	49

